

## LIMITED WARRANTY

We warrant to the original retail purchaser that we will repair or replace, at our option, without charge, any part of this Iwata airbrush found to be defective in factory material or workmanship within one year from the date of original purchase.

Warranty service will be provided at authorized Medea service centers. Any airbrush that is shipped to Medea without prior pre-authorization will not be accepted.

This warranty does not cover your airbrush if it has been:

- a. Subjected to negligence or misuse.
- b. Operated or maintained contrary to our instructions.
- c. Damaged by fire, corrosion, moisture or any other occurrence beyond our control.
- d. Damaged in transit to the service center due to inadequate packing.

MEDEA WILL NOT BE RESPONSIBLE FOR DAMAGE TO PERSONS OR PROPERTY, COMMERCIAL LOSS OR ANY OTHER INCIDENTAL OR CONSEQUENTIAL DAMAGE CAUSED BY A DEFECTIVE AIRBRUSH. However, some states do not allow the exclusion or limitation of incidental or consequential damages, so the above limitations or exclusions may not apply to you.

ALL IMPLIED WARRANTIES, INCLUDING ANY WARRANTY OF MERCHANTABILITY OR FITNESS ARE LIMITED TO THE DURATION OF THIS WRITTEN WARRANTY. However, some states do not allow limitations on how long an implied warranty lasts, so the above limitation may not apply to you.

If you wish to obtain warranty service or further information concerning this warranty, contact:

**MEDEA**  
AIRBRUSH PRODUCTS

PO Box 14397 Portland, OR 97214.  
phone (503) 253-7308 fax (503) 253-0721

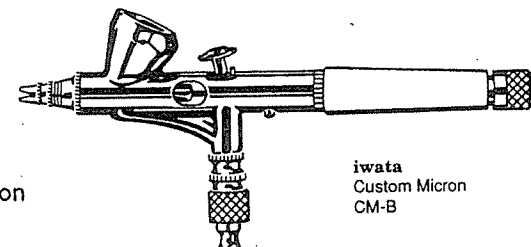
# iwata

## Professional Airbrushes

### CUSTOM MICRON CM-B, SB and C INSTRUCTION MANUAL

#### CUSTOM MICRON - B

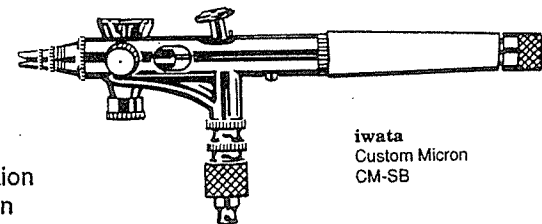
Fluid Nozzle: 0.18 mm  
Fluid Needle: 0.18 mm  
Type: Double Action  
Feed: Gravity  
Fluid Capacity: 1/16 ounce  
Pre-set Handle: Standard  
Spray Width: Fine line to 3/4"



iwata  
Custom Micron  
CM-B

#### CUSTOM MICRON - SB

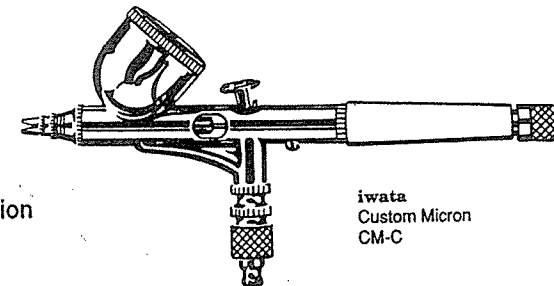
Fluid Nozzle: 0.18 mm  
Fluid Needle: 0.18 mm  
Type: Double Action  
Feed: Side Siphon  
Fluid Capacity: 1/8 ounce  
Pre-set Handle: Standard  
Spray width: Fine line to 3/4"



iwata  
Custom Micron  
CM-SB

#### CUSTOM MICRON - C

Fluid Nozzle: 0.23 mm  
Fluid Needle: 0.23 mm  
Type: Double Action  
Feed: Gravity  
Fluid Capacity: 1/4 ounce  
Pre-set Handle: Standard  
Spray width: Fine line to 1"



iwata  
Custom Micron  
CM-C

**IWATA AIRBRUSH CO., LTD**, a Division of Iwata Air Compressor Mfg. Co., LTD. is one of the worlds largest manufacturers of industrial spray guns and air compressors. A team of elite design and production engineers coupled with advanced manufacturing facilities have forged the way for Iwata to be the trusted and innovative leader in the industry worldwide.

**MEDEA CO., Inc.** is proud to represent Iwata airbrushes and to serve the airbrush community. Medea is able to design and manufacture innovative airbrush products by being in constant contact with top professional artist nationwide. Your input is invaluable in designing new products and improvement on our existing product line.

**IWATA CUSTOM MICRON** is the latest advancement in Iwata's respected line of professional airbrushes, raising its' already high standard to a new level of excellence. The Iwata Custom Micron is the product of advanced manufacturing technology and refined testing to perfectly match the integral parts of the Head System. The result is maximum control of ultra fine detail spray and superior atomization of paint without the constant adjustments, tuning and downtime typical of a turbine action airbrush.

With the removable Head System technology, Iwata has designed adjustments and frustrations out, consistency and reliability in. And since the Head System is removable for easy replacement, there's no waiting for maintenance to keep the airbrush in perfect working order.

## CUSTOM MICRON TECHNOLOGY

### **Removable Head System:**

Each component of the Head System is hand-matched and strictly tested for perfect spray performance. If maintenance is required, simply replace the Head System and the airbrush is back to it's original working order.

### **Fluid Needle:**

The long taper and sharp tip of the precision ground and polished needle provides maximum control and ultra fine detail spray.

### **Exterior Plating:**

Each airbrush is machined from solid brass and is plated with a three part process. Copper is layed first to insure a secure corrosion free bond of the nickel plating. Chrome is plated over the nickel which provides a smooth durable finish.

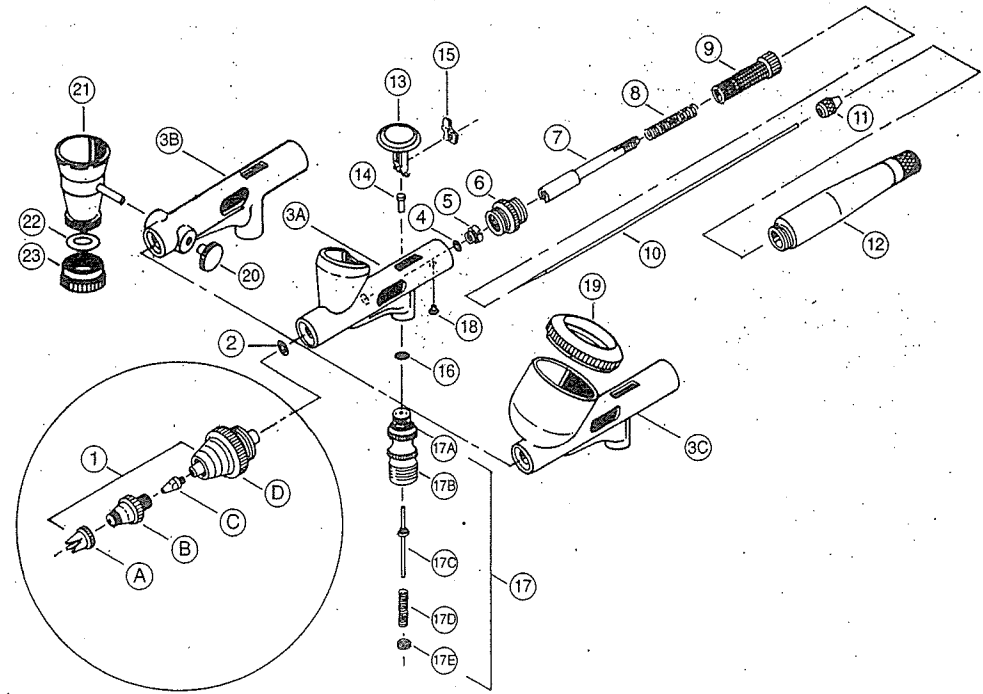
### **Internal Parts:**

Internal parts are double plated to provide bindless disassembly and assembly of the airbrush.

### **Balance:**

The Iwata airbrushes are machined from the highest quality materials and designed to have a balanced comfortable feel in the hand. There have been no compromises to make this airbrush lighter or less expensive by sacrificing quality and durability.

## NOMENCLATURE



- |                                  |                                      |
|----------------------------------|--------------------------------------|
| 1. Fluid Head System             | 12. Pre-set Handle Set               |
| A. Crown Cap                     | 13. Main Lever                       |
| B. Nozzle Cap                    | 14. Air Piston                       |
| C. Fluid Nozzle                  | 15. Auxiliary Lever                  |
| D. Nozzle Base                   | 16. Packing Air Piston (o-ring)      |
| 2. Packing Fluid Head (o-ring)   | 17. Air Valve Set                    |
| 3A. Body CM - B                  | 17A. Air Valve Body Packing (o-ring) |
| 3B. Body CM - SB                 | 17B. Air Valve Body                  |
| 3C. Body CM - C                  | 17C. Air Valve                       |
| 4. Packing Fluid Needle (o-ring) | 17D. Air Valve Spring                |
| 5. Needle Packing Screw          | 17E. Air Valve Guide                 |
| 6. Spring Guide                  | 18. Needle Chucking Guide Screw      |
| 7. Needle Chucking Guide         | 19. Fluid Cup Lid CM-C               |
| 8. Needle Spring                 | 20. Blanking Cover CM-SB             |
| 9. Needle Spring Adjustor        | 21. Fluid Cup CM-SB                  |
| 10. Fluid Needle                 | 22. Fluid Cup Lower Lid Packing      |
| 11. Needle Chucking Nut          | 23. Fluid Cup Lower Lid CM-SB        |